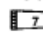

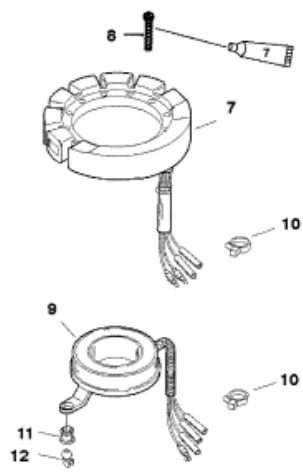


Quicksilver Lubrication/Sealant Application Points

-  Loctite 271 (Obtain Locally)
-  Liquid Neoprene (92-25711-2)



Parts List						
Ref	Class	Part	Description	Qty	Comment	Footnote
1	19	45307	FLYWHEEL PLUG	1		
2		812777T 1	COVER ASSEMBLY	1		
3	11	42979	NUT	1		
4	12	68229	WASHER	1		
5	261	9008A58	FLYWHEEL ASSEMBLY	1	(ELECTRIC)	
6	261	9008A60	FLYWHEEL ASSEMBLY	1	(MANUAL)	
7	398	832075A 4	STATOR	1	(ELECTRIC)	
7	398	832074A 5	STATOR	1	(MANUAL)	
8	10	40073 30	SCREW (M5 X 30)	4		
9		854512T	TRIGGER ASSEMBLY	1		1
10		56762	STA-STRAP	3		
11		93254	SWIVEL BASE	1		
12		93421	SWIVEL BALL	1		
13	50	66015	STARTER MOTOR	1		
14		56703	COLLAR	2		
15		57247	RUBBER STOP	2		
16	84	93388A 1	WIRE (BLACK)	1		
17	10	69035	SCREW (1/4-20 X 5/8)	1		
18	84	88439A 4	BATTERY CABLE	1	(NEGATIVE)	
19	13	26992	LOCKWASHER	1		
20	11	64015	NUT	1		